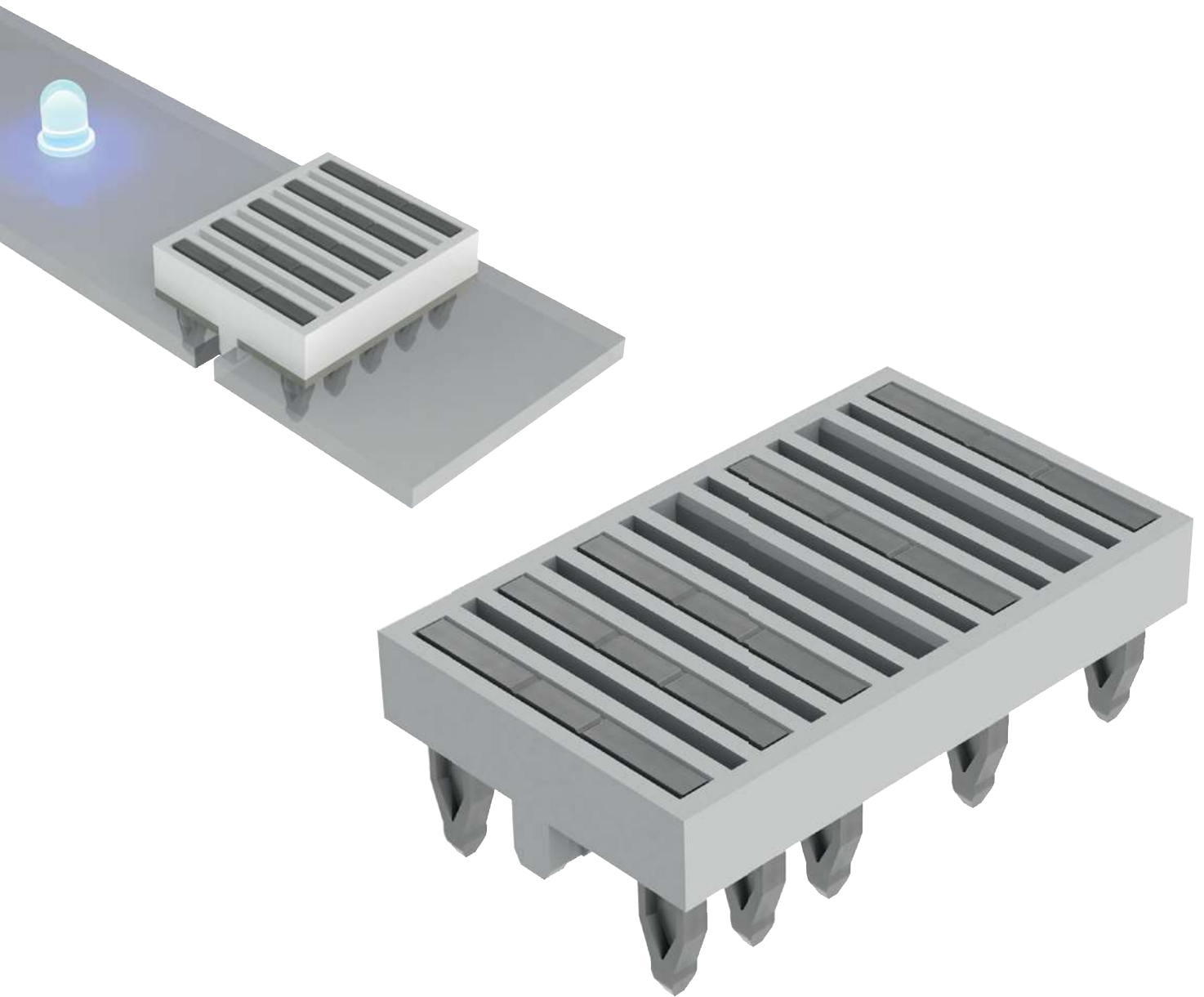


• • • ept
connectors



flexilink_{jumper}
Horizontal PCB Connections

Introduction	3
Processing	4
Technical Specifications / Derating Diagram	5
Hole Specifications	6
flexilink jumper	7

flexilink_{jumper} - Horizontal PCB Connections

Reliable Connections for LED and more

ept's flexilink_{jumper} is a non-matable board-to-board connection for horizontal PCB assemblies.

A gap of 1 mm between the edges of printed circuit boards and a needed footprint of only 3.8 mm per pcb allows maximum utilization of board space and makes this connector suitable for many applications, e.g. "chaining" LED boards.

The height of the connector itself is only 2 mm. The pins are designed for 1 mm holes according to ept hole specifications.

The connector is available with 2 to 15 contact bridges. The distance between the rows is 2 or 4 mm depending on the pin configuration.

Key Features:

- 8 A operational current
- small footprint design
- easy processing without soldering
- variable 2 or 4 mm pitch
- 2 - 15 contact bridges
- reliable connection through press-fit technology
- cost saving

Applications:

- LED
- shock & vibration
- PCB chaining

Termination



Press-fit

Mating Configuration

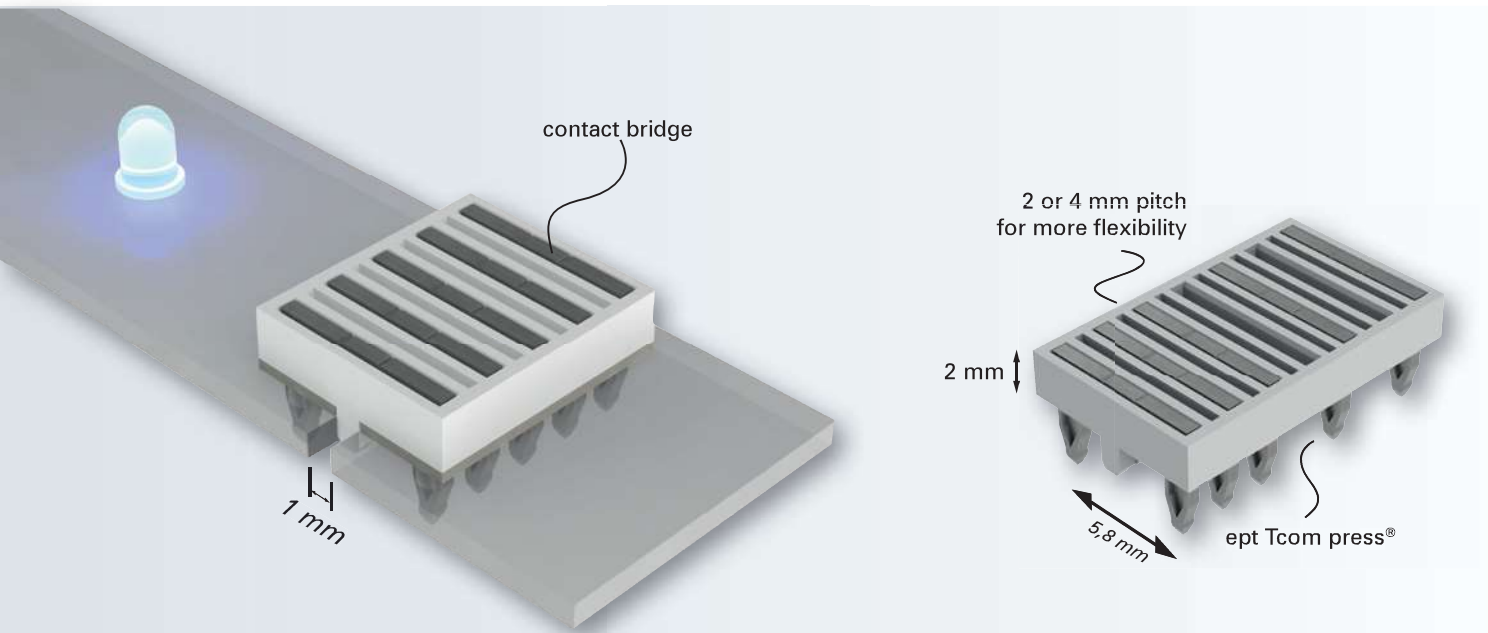


Horizontal

Application



Power



Processing Press-fit



The connector is placed at the desired position. The support tool ensures the correct alignment of the PCBs.



By using the lever of the press the connector is pressed-in with little effort. The press-fit zone absorbs the force through deformation.

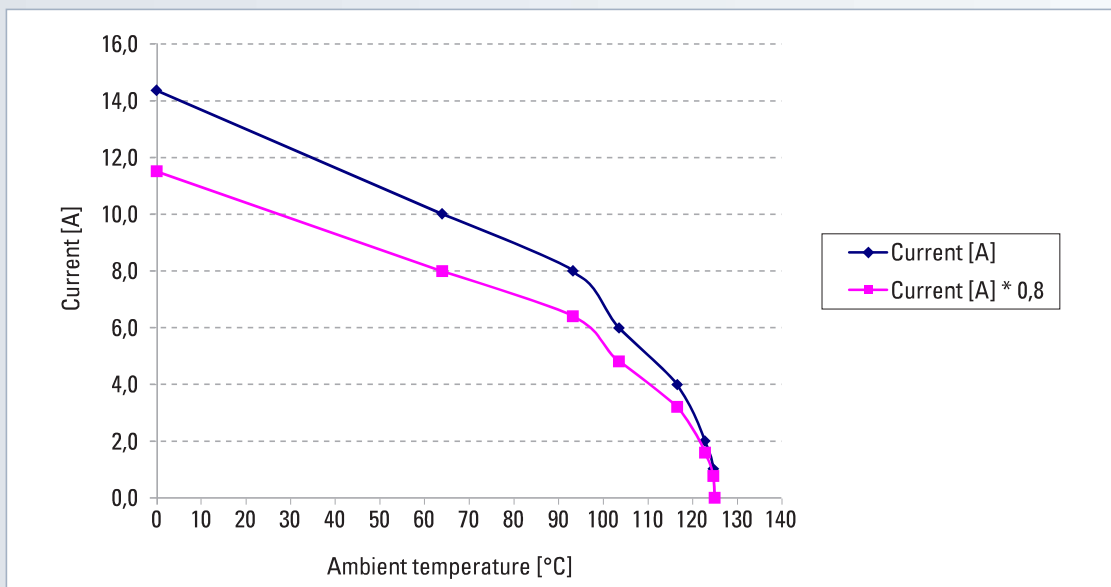


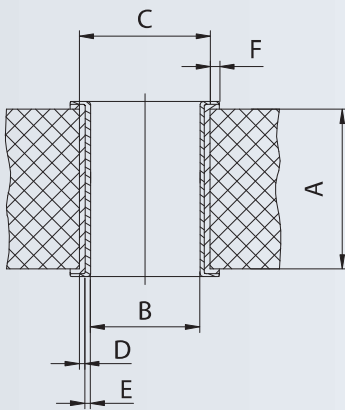
The connection is gas tight and mechanically very strong. There's no need for an additional soldering of the component.

Technical Specifications

Technical Specifications	flexilink jumper	
	Horizontal PCB connections with Tcom press®	
Basics		
Number of contact bridges	2 - 15	
Termination	Press-fit	
Operating temperature range	-55°C to +125°C	
Material		
Insulator material	PBT glass filled, UL 94 V-0	
Colour insulator material	grey, RAL 7032 (other colours available)	
Contact material	Copper alloy	
Contact surface	Sn	
Mechanical		
Pitch	2 / 4 mm	
Electrical		
Operational current	10 A at 30°C (5 contact bridges)	
Contact resistance	≤ 5mΩ	
Clearance and creepage	1.4 mm	
Insulation resistance	≥ 10GΩ	
Test voltage	1500 VDC	
Approval		
Flammability	UL (file: E130314)	
Environment	RoHS compliant	

Derating Diagram





Hole Specifications Press-fit

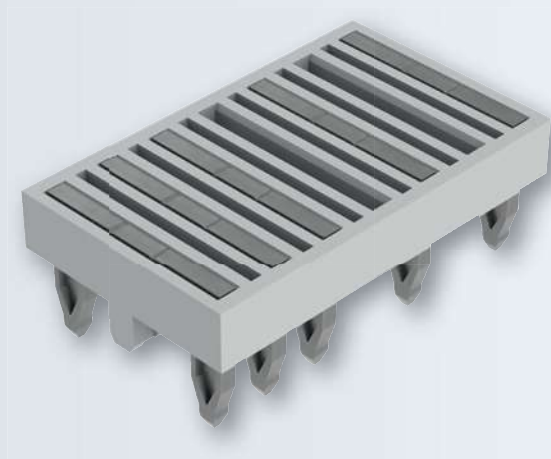
Plated through-hole according to IEC 60352-5



ept offers adapted press-fit zones for many PCB surfaces.

		Hole Specification	
		Nominal Hole Ø 1.0 mm	
		imm. Sn printed circuit boards	Ni, Au printed circuit boards
A	PCB thickness	min 1.0 mm	min 1.0 mm
B	Plated hole	Ø 1.0 + 0.09 / - 0.06 mm	Ø 1.0 + 0.09 / - 0.06 mm
C	Drill hole	Ø 1.15 ± 0.025 mm	Ø 1.15 ± 0.025 mm
D	Cu plating	min. 25 µm	min. 25 µm
E	Plating	max. 1.5 µm imm. Sn	0.05 - 0.2 µm Au; more than 2.5 - 5 µm Ni
F	Annular ring	min. 0.1 mm	min. 0.1 mm

flexilink jumper ● ● ●

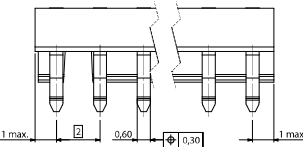
Horizontal PCB Connections

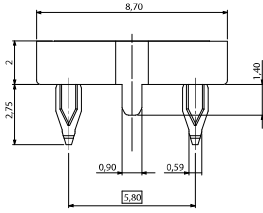


- Type:** non-pluggable bridge connector
- Number of contact bridges:** 2 to 15
- Pitch:** 2 mm or 4 mm
- Operational current:** 10 A at 30°C
- Packaging:** Bulk goods
- Standard:**  

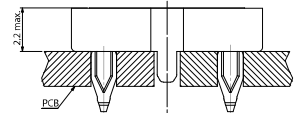
Technical Specifications on page 5

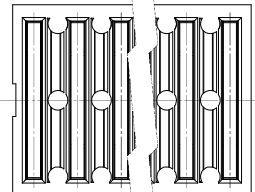
Dimensions in mm

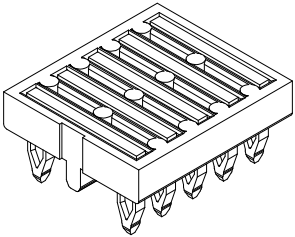




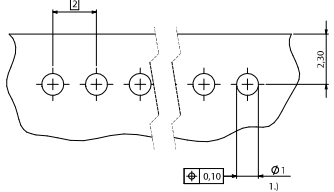
Bestückter jumper / *assembled jumper*







Hole pattern



For detailed drawings visit www.ept.de

Couldn't find something suitable or having questions? We will be pleased to help you! Call us: +49 8861 / 25010.

flexilink jumper
Horizontal PCB Connections

Number of contact bridges	Part number
2	991-500200-11
3	991-500300-11
4	991-500400-11
5	991-500500-11
6	991-500600-11
7	991-500700-11
8	991-500800-11
9	991-500900-11
10	991-501000-11
11	991-501100-11
12	991-501200-11
13	991-501300-11
14	991-501400-11
15	991-501500-11

flexilink_{jumper} with 2 contact bridges



On request

- other pin configurations